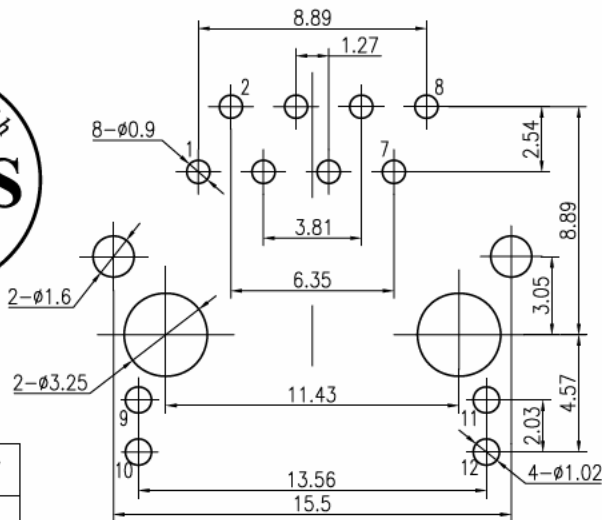
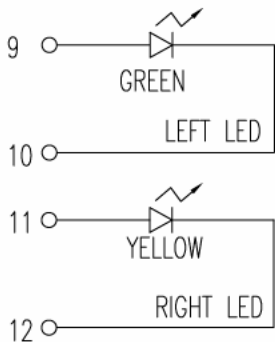
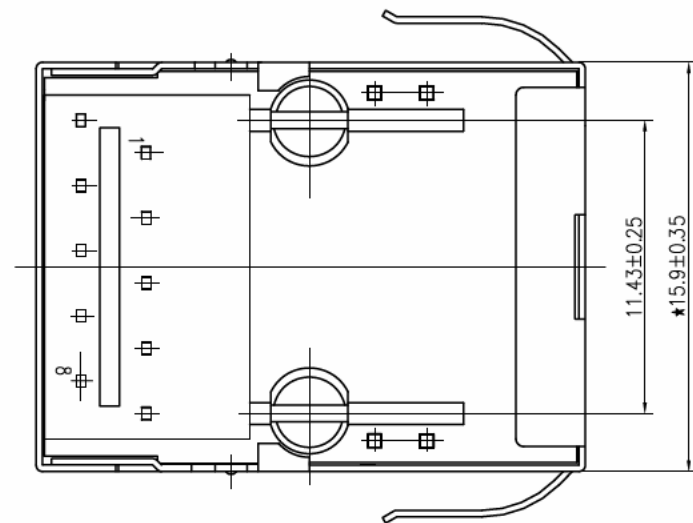


1

2



PCB BOARD LAYOUT

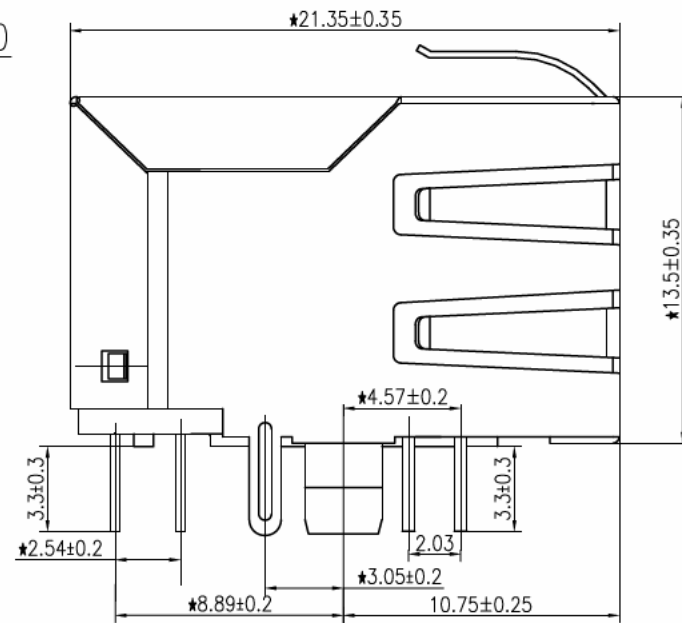
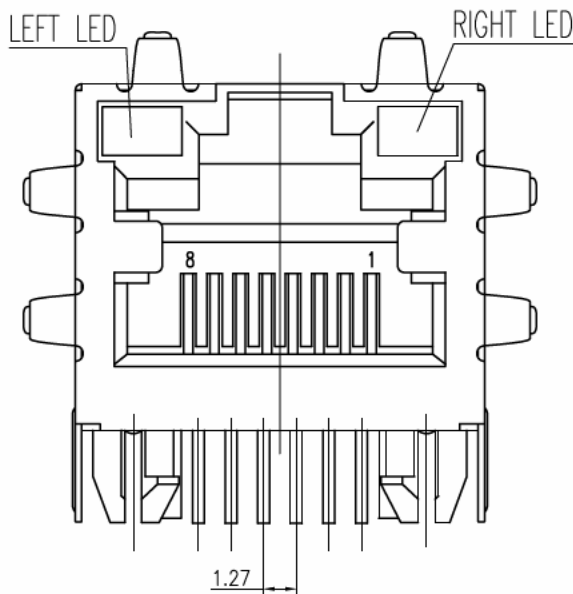


LED Specification

Standard LED Color	LED Wavelength	Forward (V MAX)	Typical (V TYP)	Luminous Intensity
Green	560-580 nm	2.5V	2.1-2.2V	9-25 MCD
Yellow	580-610 nm	2.5V	2.1-2.2V	9-30 MCD
Orange	580-610 nm	2.5V	2.1-2.2V	50-100 MCD

- LED intensity/wavelength measured with Photo Research PR-650 Colormeter
- With a forward current of 20 mA, Absolute Maximum Ratings (Ta=25°C)

- 1: TOLERANCES UNLESS OTHERWISE SPECIFIED :  
 0~10±0.15, 10~20±0.2, 20~40±0.25,  
 40~70±0.3, >70±0.4
- 2: JACK CAVITY CONFORMS TO FCC RULES AND REGULATIONS, PART 68 SUBPART F.



**SCHMID-M**

Designed

MATERIAL

DESCRIPTION

10/100BASE 1XRJ45 Tab-Up Shielded W/G-Y LED

FIRST ANGLE PROJECTION



Checked

SCALE

1.8:1

UNIT

mm

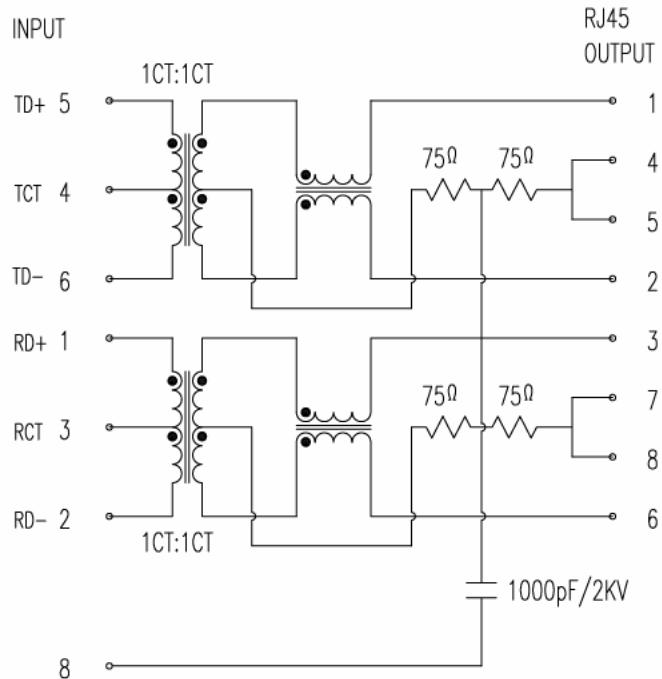
MODEL NO.

SM C04 2A17JHG2

REV.

1

2



### DESCRIPTION

**ELECTRICAL:** RJ45 With internal Magnetics Connector  
 Designe to support such applications as:Ethernet Equipment Complex,Switches,Routers,Firewalls,Servers and Hub  
 Internal magnetics are 100% electrically tested for functionality per IEEE802.3 requirement  
 RoHS peak wave solder temperature rating 235<sup>o</sup>  
 High performance for maximum EMI suppression  
 350uH minmum OCL with 8mA bias current

**MECHANICAL:** JACK CAVITY CONFORMS TO FCC RULES AND REGULATIONS,PART 68 SUBPART F.  
 INSERTION FORCE: 8 CONTACTS--900g,10 CONTACTS--1050g  
 RETENTION STRENGTH: 7.7Kgs BETWEEN JACK AND PLUG  
 DURABILITY: 750 MATING CYCLES Mini

**MATERIAL:** HOUSING: 1) GLASS FILLED PA66 (UL 94V-0)

**SPRING WIRE:** 0.25-0.35mm THICKNESS PHOSPHOR BRONZE ALLOY SELECTIVE GOLD PLATING OVER NICKEL<50-80 $\mu$ \* >  
 OVER TIN<60-120 $\mu$ \* >

**SHIELDING:** 0.2-0.24mm THICKNESS COPPER ALLOY WITH NICKEL<50-100 $\mu$ \* > PLATED

**Storage:** -40<sup>o</sup>~85<sup>o</sup> Relative Humidity<70%

**Operating:** 0<sup>o</sup>~70<sup>o</sup>



### ELECTRICAL SPECIFICATIONS AT 25<sup>o</sup>C

Insertion Loss dB max	Return Loss dB min				Crosstalk(db TYP)	Common Mode Rejection (dB TYP)	Hipot(vrms)
	1-30MHz	30- 60MHz	60- 80MHz	1- 100MHz			
1-125MHz	-18	-16	-12	-12	1- 100MHz	1-100MHz	1500/0.5mA
-1.2	-18	-16	-12	-12	-30	-30	

**SCHMID-M**

Designed

MATERIAL

DESCRIPTION

1/100BASE 1XRJ45 Tab-Up Shielded W/G-Y LED

FIRST ANGLE PROJECTION



Checked

Approved

SCALE

1.8:1

UNIT

mm

MODEL NO.

SM C04 2A17JHG2

REV.